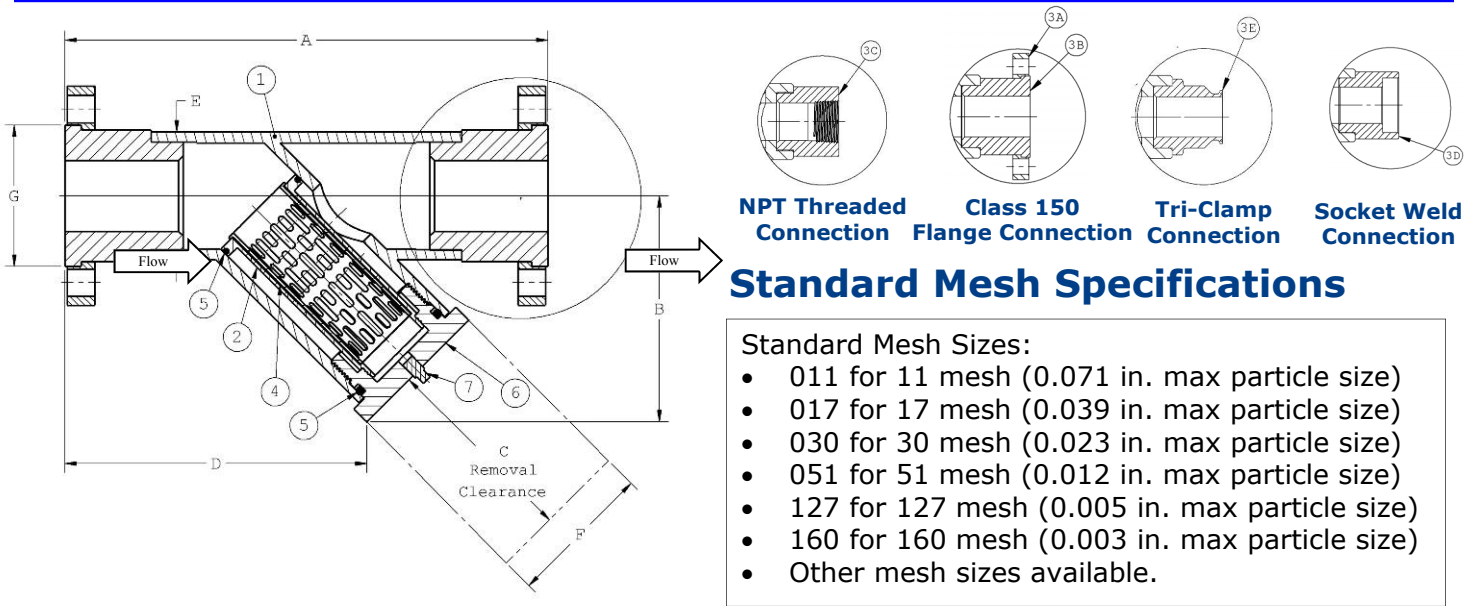


# PVDF Y Strainers



- Standard Mesh Specifications**
- Standard Mesh Sizes:
- 011 for 11 mesh (0.071 in. max particle size)
  - 017 for 17 mesh (0.039 in. max particle size)
  - 030 for 30 mesh (0.023 in. max particle size)
  - 051 for 51 mesh (0.012 in. max particle size)
  - 127 for 127 mesh (0.005 in. max particle size)
  - 160 for 160 mesh (0.003 in. max particle size)
  - Other mesh sizes available.

## PVDF Y-Strainer Part Numbers\*

Nominal Size		FNPT Threaded	IPS Socket Weld	Metric Socket Weld	ANSI Class 150 Flanged	Tri-Clamp
(in.)	(mm)					
1/8"	NA	S-YK01FTNNN	S-YK01SINNN	N/A	N/A	N/A
1/4"	NA	S-YK02FTNNN	S-YK02SINNN	N/A	N/A	N/A
3/8"	16	S-YK03FTNNN	S-YK03SINNN	S-YK03SMNNN	N/A	N/A
1/2"	20	S-YK04FTNNN	S-YK04SINNN	S-YK04SMNNN	S-YK04FLNNN	S-YK04TCNNN
3/4"	25	S-YK06FTNNN	S-YK06SINNN	S-YK06SMNNN	S-YK06FLNNN	S-YK06TCNNN
1"	32	S-YK08FTNNN	S-YK08SINNN	S-YK08SMNNN	S-YK08FLNNN	S-YK08TCNNN
1-1/4"	40	S-YK10FTNNN	S-YK10SINNN	S-YK10SMNNN	S-YK10FLNNN	S-YK10TCNNN
1-1/2"	50	S-YK12FTNNN	S-YK12SINNN	S-YK12SMNNN	S-YK12FLNNN	S-YK12TCNNN
2"	63	S-YK16FTNNN	S-YK16SINNN	S-YK16SMNNN	S-YK16FLNNN	S-YK16TCNNN
3"	90	S-YK24FTNNN	S-YK24SINNN	S-YK24SMNNN	S-YK24FLNNN	S-YK24TCNNN
4"	110	S-YK32FTNNN	S-YK32SINNN	S-YK32SMNNN	S-YK32FLNNN	S-YK32TCNNN

## Construction

Item No.	PVDF Y-Strainers
1	PVDF Y-Strainers
2	PVDF Body
3A	PTFE Cartridge
3B	PVDF Flange (Other materials available)
3C	PVDF Stub End
3D	PVDF NPT Connector
3E	PVDF Socket Weld Connector
4	PVDF Tri-Clamp Connector
5	TEFZEL E-TFE Screen
6	FEP Encapsulated Silicone Rubber O-Ring
7	PVDF Knurled Cap
	PTFE Drain Plug

## Dimensions\*

Nominal Pipe Size	A	B	C	D	E	F	G	PLUG NPT
1/8	8.3	2.8	2.9	4.7	1.32	1.60	NA	1/8
1/4	8.3	2.8	2.9	4.7	1.32	1.60	NA	1/8
3/8	8.3	2.8	2.9	4.7	1.32	1.60	NA	1/8
1/2	8.3	2.8	2.9	4.7	1.32	1.60	1.62	1/8
3/4	9.9	3.5	3.7	5.5	1.90	2.20	1.99	1/8
1	9.9	3.5	3.7	5.5	1.90	2.20	2.37	1/8
1-1/4	11.1	5.5	5.8	7.4	2.88	3.00	2.74	1/8
1-1/2	11.1	5.5	5.8	7.4	2.88	3.00	3.12	1/8
2	12.2	6.3	6.2	7.7	3.50	3.94	3.87	1/8
3	14.7	8.9	8.7	9.9	5.00	5.44	5.12	1/4
4**	17.3	11.5	10.7	11.9	6.63	7.20	6.63	1/4

\* All dimensions shown in inches

