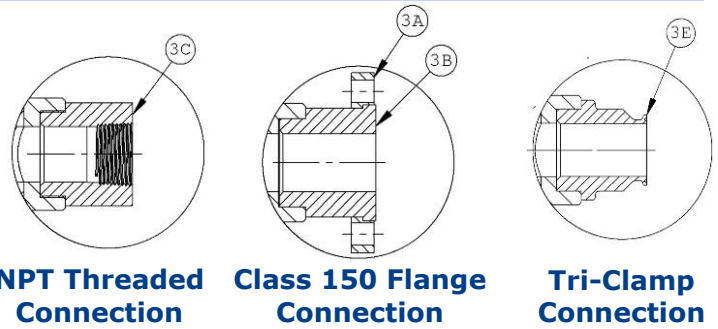
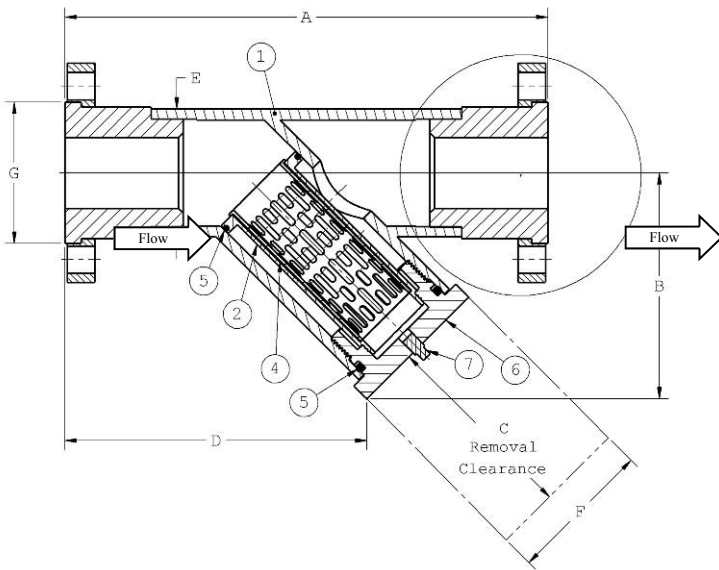


# PTFE Y Strainers

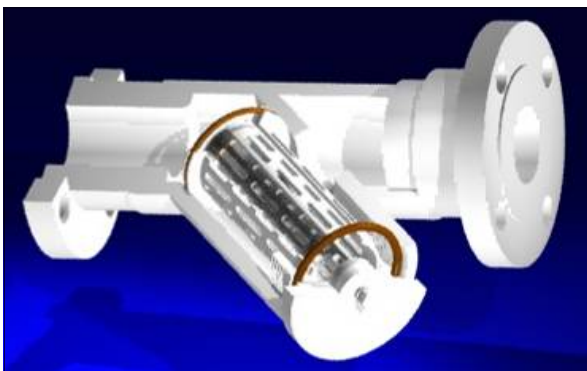


## Standard Mesh Specifications

Standard Mesh Sizes:

- 011 for 11 mesh (0.071 in. max particle size)
- 017 for 17 mesh (0.039 in. max particle size)
- 030 for 30 mesh (0.023 in. max particle size)
- 051 for 51 mesh (0.012 in. max particle size)
- 127 for 127 mesh (0.005 in. max particle size)
- 160 for 160 mesh (0.003 in. max particle size)

Other mesh sizes available.



## PTFE Y-Strainer Part Numbers\*

| Nominal Size |      | FNPT Threaded | ANSI Class 150 Flanged | Tri-Clamp   |
|--------------|------|---------------|------------------------|-------------|
| (in.)        | (mm) |               |                        |             |
| 1/8"         | NA   | S-YT01FTNNN   | N/A                    | N/A         |
| 1/4"         | NA   | S-YT02FTNNN   | N/A                    | N/A         |
| 3/8"         | 16   | S-YT03FTNNN   | N/A                    | N/A         |
| 1/2"         | 20   | S-YT04FTNNN   | S-YT04FLNNN            | S-YT04TCNNN |
| 3/4"         | 25   | S-YT06FTNNN   | S-YT06FLNNN            | S-YT06TCNNN |
| 1"           | 32   | S-YT08FTNNN   | S-YT08FLNNN            | S-YT08TCNNN |
| 1-1/4"       | 40   | S-YT10FTNNN   | S-YT10FLNNN            | S-YT10TCNNN |
| 1-1/2"       | 50   | S-YT12FTNNN   | S-YT12FLNNN            | S-YT12TCNNN |
| 2"           | 63   | S-YT16FTNNN   | S-YT16FLNNN            | S-YT16TCNNN |
| 3"           | 90   | S-YT24FTNNN   | S-YT24FLNNN            | S-YT24TCNNN |
| 4"           | 110  | N/A           | N/A                    | N/A         |

## Construction

| Item No. | PTFE Y-Strainers                        |
|----------|---|
| 1        | MICROFLON™ PTFE Body                    |
| 2        | PTFE Cartridge                          |
| 3A       | PVDF Flange (Other materials available) |
| 3B       | PTFE Stub End                           |
| 3C       | PTFE NPT Connector                      |
| 3D       | Not Available                           |
| 3E       | PTFE Tri-Clamp Connector                |
| 4        | TEFZEL E-TFE Screen                     |
| 5        | FEP Encapsulated Silicone Rubber O-Ring |
| 6        | PTFE Knurled Cap                        |
| 7        | PTFE Drain Plug                         |

## Dimensions\*

| Nominal Pipe Size | A    | B    | C    | D    | E    | F    | G    | PLUG NPT |
|-------------------|------|------|------|------|------|------|------|----------|
| 1/8               | 8.3  | 2.8  | 2.9  | 4.7  | 1.50 | 1.60 | NA   | 1/8      |
| 1/4               | 8.3  | 2.8  | 2.9  | 4.7  | 1.50 | 1.60 | NA   | 1/8      |
| 3/8               | 8.3  | 2.8  | 2.9  | 4.7  | 1.50 | 1.60 | NA   | 1/8      |
| 1/2               | 8.3  | 2.8  | 2.9  | 4.7  | 1.50 | 1.60 | 1.62 | 1/8      |
| 3/4               | 9.9  | 3.5  | 3.7  | 5.5  | 2.00 | 2.20 | 1.99 | 1/8      |
| 1                 | 9.9  | 3.5  | 3.7  | 5.5  | 2.00 | 2.20 | 2.37 | 1/8      |
| 1-1/4             | 11.1 | 5.5  | 5.8  | 7.4  | 2.88 | 3.00 | 2.74 | 1/8      |
| 1-1/2             | 11.1 | 5.5  | 5.8  | 7.4  | 2.88 | 3.00 | 3.12 | 1/8      |
| 2                 | 12.2 | 6.3  | 6.2  | 7.7  | 3.75 | 3.94 | 3.87 | 1/8      |
| 3                 | 14.7 | 8.9  | 8.7  | 9.9  | 5.25 | 5.44 | 5.12 | 1/4      |
| 4**               | 17.3 | 11.5 | 10.7 | 11.9 | NA   | 7.20 | 6.63 | 1/4      |

\* All dimensions shown in inches

