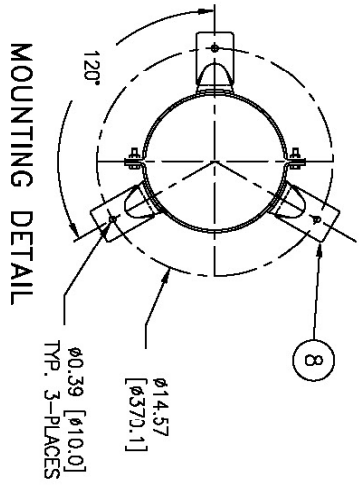
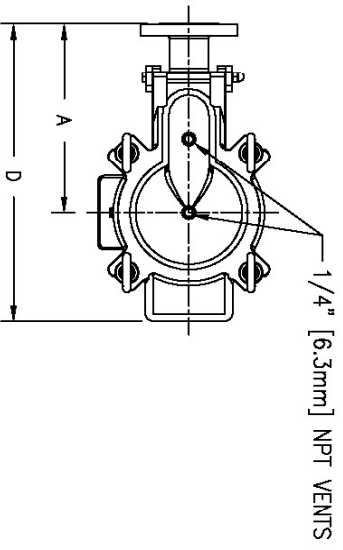


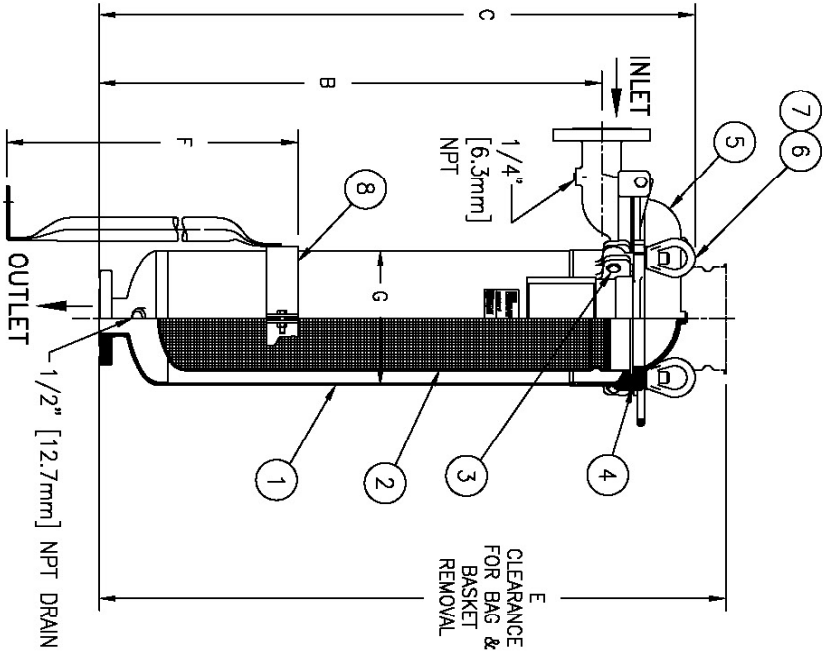
PART NUMBER	BAG SIZE	A IN. / MM	B IN. / MM	C IN. / MM	D IN. / MM	E IN. / MM	F IN. / MM	G IN. / MM	FLOW RATE GPM (MAX)	WEIGHT LBS / KGS
TBF0111SB02F	C1	12.10 / 307	15.50 / 394	21.25 / 540	19.12 / 486	32.00 / 813	24.40 / 619	8.62 / 219	90	80 / 36.3
TBF0112SB02F	O2	12.10 / 307	31.00 / 787	36.75 / 934	19.12 / 486	63.00 / 1600	24.40 / 619	8.62 / 219	180	93 / 42.2



NO.	PART NAME	MATERIAL
1	BODY	SA-351 CF8M SA-312 TP 316
2	RESTRAINER BASKET	316 STAINLESS STEEL
3	PIN	SA-193 GR B7, ZINC PL
4	O-RINGS (2)	BUNA-N
5	COVER	SA-351 CF8M
6	EYE BOLT	SA-193 GR B7, ZINC PL
7	EYE NUT	SA-194 GR 2H, ZINC PL
8	LEGS	STAINLESS STEEL

NOTES:

- VESSEL DESIGNED, CONSTRUCTED & "UM" STAMPED IN ACCORDANCE WITH ASME SECTION VIII, DIV. 1 LATEST EDITION AND ADDENDA.
- INLET/OUTLET FLANGED CONNECTIONS PER ANSI B16.5.
- MAWP: 150 PSI @ 250° F
(10.3 BAR @ 121.1° C)
MDMT: -20° F @ 150 PSI
(-28.9° C @ 10.3 BAR)
- MAXIMUM OPERATING TEMP: 400° F (204.4° C) WITH VITON O-RING.



CERTIFIED FOR:
P.O. NO.:
REG. NO.:
QUOTE NO.:
TAG NO.:
FILTER BAG:

UNAUTHORIZED USE, MANUFACTURE OR REPRODUCTION IN WHOLE OR IN PART IS PROHIBITED.



FACTORY DIRECT PIPELINE PRODUCTS, INC.
<http://www.fdpi.com>
NAME: TOPLINE (TBF) FILTER VESSEL
2"-150#RF FLANGED CONNECTION
STAINLESS STEEL

ELECTRONIC FILE NAME: TBF11XS.DWG
REF: ECR D637 DATE 12/21/05

SIZE	DWG NO	DATE	CERT.	FM	DATE	REV
A	LF	7/27/99			7/27/99	D
TBF11XS						