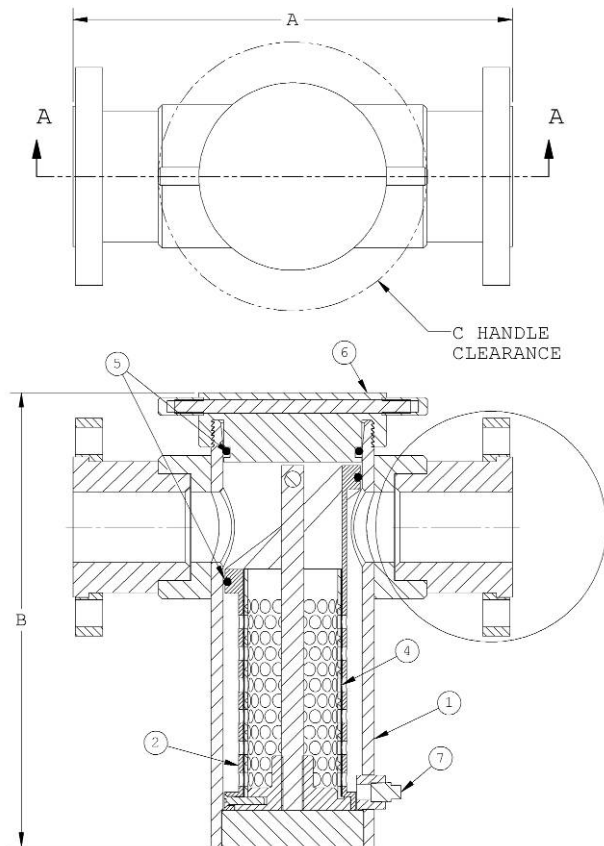


Model SC PTFE Simplex Strainers

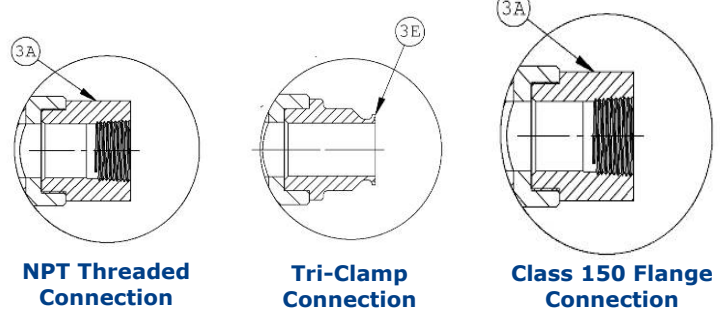
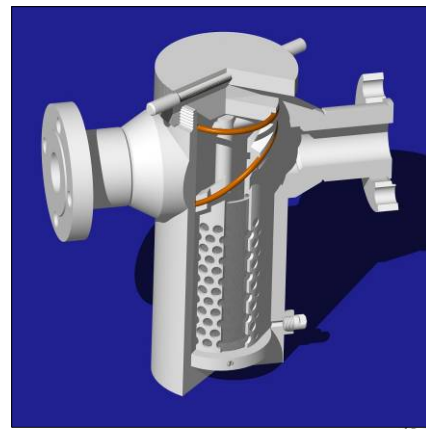
Dimensions

Nominal Size		A (in.)	B (in.)	C (in.)
(in.)	(mm)			
1/2"	20	10.3	7.7	7.5
3/4"	25	10.3	7.7	7.5
1"	32	10.3	7.7	7.5
1-1/4"	40	12.1	12.5	8.5
1-1/2"	50	12.5	12.5	8.5
2"	63	12.1	12.5	8.5
3"	90	14.6	16.4	10.6



PTFE Basket Strainer Part Numbers*

Nominal Size		ANSI Class 150 Flanged	NPT Threaded	Tri-Clamp
(in.)	(mm)			
1/2"	20	S-BT04FLNNN	S-BT04FTNNN	S-BT04TCNNN
3/4"	25	S-BT06FLNNN	S-BT06FTNNN	S-BT06TCNNN
1"	32	S-BT08FLNNN	S-BT08FTNNN	S-BT08TCNNN
1-1/4"	40	S-BT10FLNNN	S-BT10FTNNN	S-BT10TCNNN
1-1/2"	50	S-BT12FLNNN	S-BT12FTNNN	S-BT12TCNNN
2"	63	S-BT16FLNNN	S-BT16FTNNN	S-BT16TCNNN
3"	90	S-BT24FLNNN	S-BT24FTNNN	S-BT24TCNNN



Construction

Item No.	PTFE Basket Strainers
1	MICROFLON™ PTFE Body
2	Removable PTFE Cartridge
3A	PTFE NPT Connector
3B	N/A
3C	PVDF Flange (Other materials available)
3D	PTFE Stub End
3E	PTFE Tri-Clamp Connector
4	TEFZEL E-TFE Screen
5	FEP Encapsulated Silicone Rubber O-Ring
6	PTFE Cap w/Handles
7	PTFE Drain Plug

Standard Mesh Specifications

*To specify mesh size –replace NNN in part number with:

- 011 for 11 mesh (0.071 in. max particle size)
- 017 for 17 mesh (0.039 in. max particle size)
- 030 for 30 mesh (0.023 in. max particle size)
- 051 for 51 mesh (0.012 in. max particle size)
- 102 for 102 mesh (0.006 in. max particle size)
- 160 for 160 mesh (0.003 in. max particle size)

Other mesh sizes available. Contact factory
See our [Strainer Screens Technical Bulletin](#)
for more information

