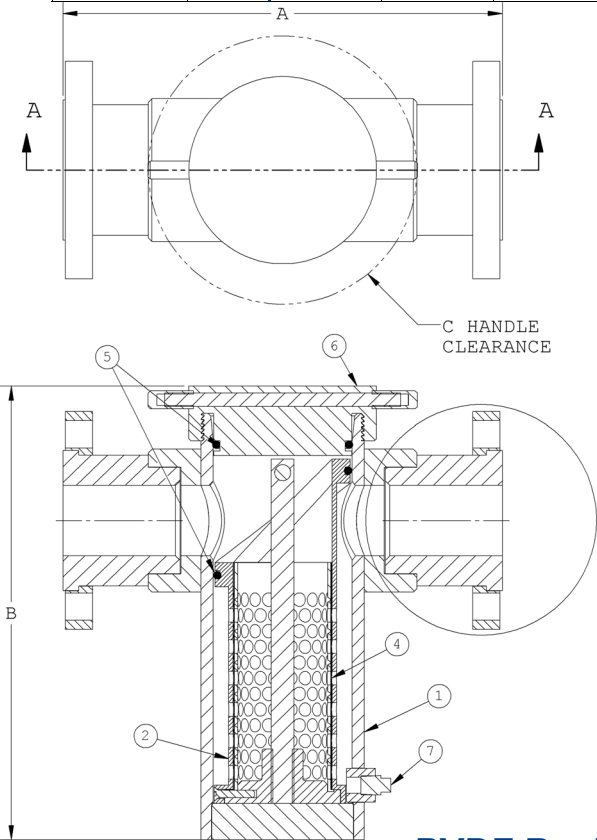


Model SC PVDF Simplex Strainers

Dimensions

| Nominal Size | | A (in.) | B (in.) | C (in.) |
|--------------|------|------------|------------|------------|
| (in.) | (mm) | | | |
| 1/2" | 20 | 10.3 | 7.7 | 7.5 |
| 3/4" | 25 | 10.3 | 7.7 | 7.5 |
| 1" | 32 | 10.3 | 7.7 | 7.5 |
| 1-1/4" | 40 | 12.1 | 12.5 | 8.5 |
| | | | | |
| 1-1/2" | 50 | 12.5 | 12.5 | 8.5 |
| 2" | 63 | 12.1 | 12.5 | 8.5 |
| 3" | 90 | 14.6 | 16.4 | 10.6 |



Construction

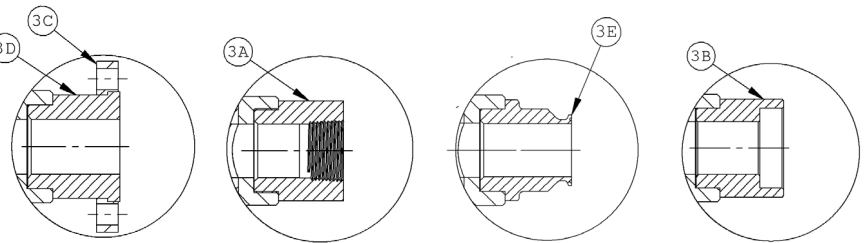
| Item No. | PVDF Basket Strainers |
|----------|---|
| 1 | PVDF Body |
| 2 | Removable PTFE Cartridge |
| 3A | PVDF NPT Connector |
| 3B | PVDF Socket Weld Connector |
| 3C | PVDF Flange (Other materials available) |
| 3D | PVDF Stub End |
| 3E | PVDF Tri-Clamp Connector |
| 4 | TEFZEL E-TFE Screen |
| 5 | FEP Encapsulated Silicone Rubber O-Ring |
| 6 | PVDF Cap w/Handles |
| 7 | PTFE Drain Plug |

Standard Mesh Specifications

*To specify mesh size -replace NNN in part number with:

- 011 for 11 mesh(0.071 in. max particle size)
- 017 for 17 mesh (0.039 in. max particle size)
- 030 for 30 mesh(0.023 in. max particle size)
- 051 for 51 mesh (0.012 in. max particle size)
- 102 for 102 mesh (0.006 in. max particle size)
- 160 for 160 mesh (0.003 in. max particle size)

Other mesh sizes available.



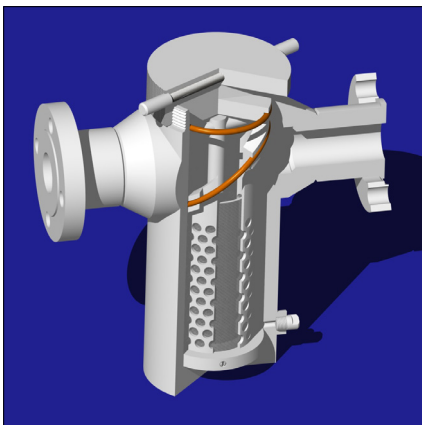
Class 150 Flange Connection

NPT Threaded Connection

Tri-Clamp Connection

Socket Weld Connection

PVDF Basket Strainer Part Numbers*



| Nominal Size | | ANSI Class 150 Flanged | NPT Threaded | Tri-Clamp | IPS Socket Weld (in. sizes) | Metric Socket Weld (mm sizes) |
|--------------|------|------------------------|---------------------|---------------------|-----------------------------|-------------------------------|
| (in.) | (mm) | | | | | |
| 1/2" | 20 | S-BK04FL <u>NNN</u> | S-BK04FT <u>NNN</u> | S-BK04TC <u>NNN</u> | S-BK04SI <u>NNN</u> | S-BK04MSI <u>NNN</u> |
| 3/4" | 25 | S-BK06FL <u>NNN</u> | S-BK06FT <u>NNN</u> | S-BK06TC <u>NNN</u> | S-BK06SI <u>NNN</u> | S-BK06MSI <u>NNN</u> |
| 1" | 32 | S-BK08FL <u>NNN</u> | S-BK08FT <u>NNN</u> | S-BK08TC <u>NNN</u> | S-BK08SI <u>NNN</u> | S-BK08MSI <u>NNN</u> |
| 1-1/4" | 40 | S-BK10FL <u>NNN</u> | S-BK10FT <u>NNN</u> | S-BK10TC <u>NNN</u> | S-BK10SI <u>NNN</u> | S-BK10MSI <u>NNN</u> |
| | | | | | | |
| 1-1/2" | 50 | S-BK12FL <u>NNN</u> | S-BK12FT <u>NNN</u> | S-BK12TC <u>NNN</u> | S-BK12SI <u>NNN</u> | S-BK12MSI <u>NNN</u> |
| 2" | 63 | S-BK16FL <u>NNN</u> | S-BK16FT <u>NNN</u> | S-BK16TC <u>NNN</u> | S-BK16SI <u>NNN</u> | S-BK16MSI <u>NNN</u> |
| 3" | 90 | S-BK24FL <u>NNN</u> | S-BK24FT <u>NNN</u> | S-BK24TC <u>NNN</u> | S-BK24SI <u>NNN</u> | S-BK24MSI <u>NNN</u> |

