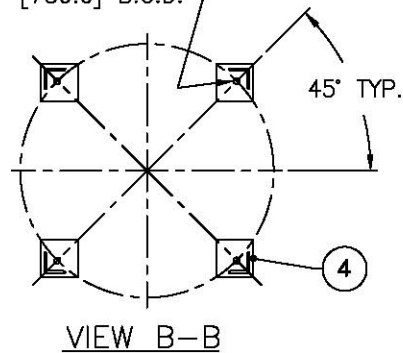
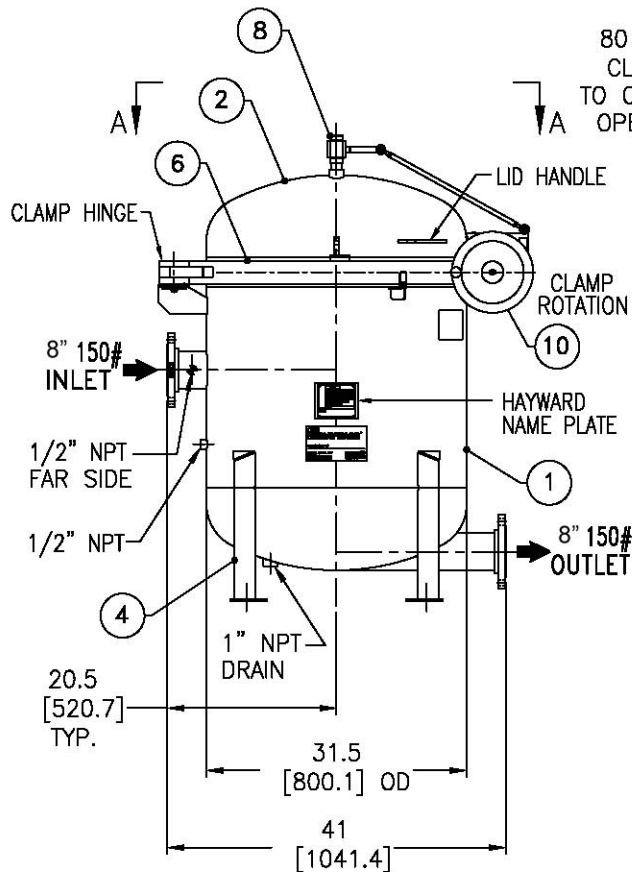


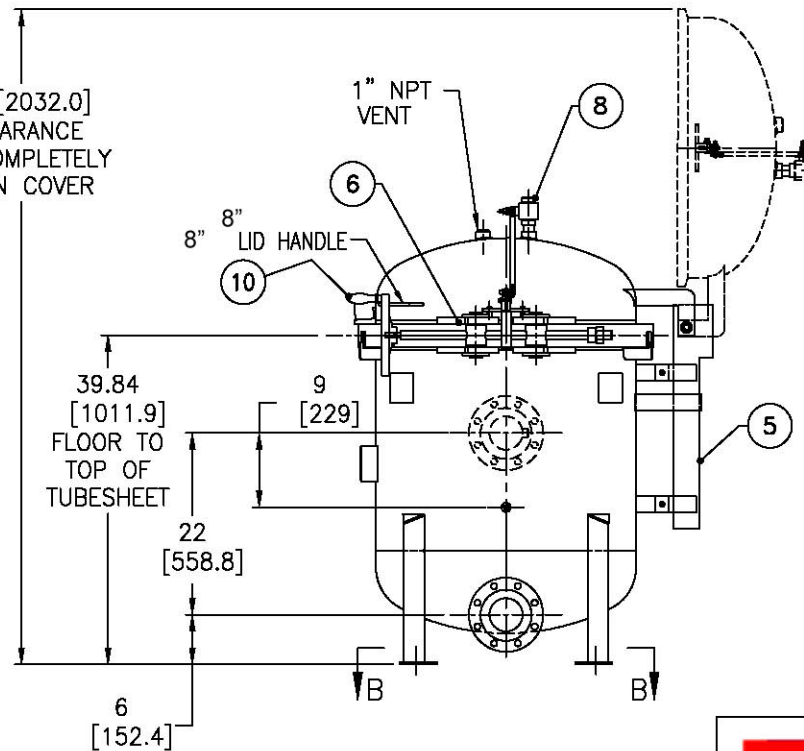
(4) .75 [19.0] Ø BOLT HOLES
LOCATED ON 30.71 [780.0] B.C.D.



ITEM	PART NAME	MATERIAL
1	BODY	SA240-316/316L
2	COVER	SA240-316/316L
3	O-RING	BUNA-N
4	LEGS	STAINLESS STEEL
5	SPRING ASSISTED MECHANISM	STAINLESS STEEL
6	CLAMP ASSEMBLY	STAINLESS STEEL
7	FILTER BAG HOLD DOWN	316 SS
8	1" VENT VALVE ASSY.	316 SS
9	SPINDLE BOLT	SA193-B7 NEDOX COATED
10	SPINDLE HANDLE	ALUMINUM (BLACK COATED)



80 [2032.0]
CLEARANCE
TO COMPLETELY
OPEN COVER

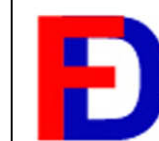


NOTES:

1. UNITS ARE DESIGNED, FABRICATED & U STAMPED IN ACCORDANCE WITH ASME SECT. VIII, DIV. 1 BOILER & PRESSURE VESSEL CODE, IN COMPLIANCE TO LATEST ADDENDA.
2. INLET/OUTLET FLANGE CONNECTIONS PER ANSI B16.5
3. DESIGN PRESSURE: 150 PSIG @ 250°F (10.3 BAR @ 121.1°C)
4. ALL DIMENSIONS ARE IN INCHES / [mm]
5. ALL BOLT HOLES STRADDLE NATURAL CENTERLINE.
6. APPROX. WEIGHT (DRY): 920 lbs. (417 kgs.)
7. APPROX. SHIPPING WEIGHT 1050 lbs. (476 kgs.)

CERTIFIED FOR:

P.O. NO.:
REG. NO.:
QUOTE NO.:
TAG NO.:
VESSEL CODE: V-MBF-0802-AB10-040A-UT-11SE
PART NUMBER: F3AV0800201



FACTORY DIRECT PIPELINE PRODUCTS, INC.
P.908.496.9020 F.908.496.8080 <http://www.fdpp.com>

NAME **MBF-0802 FILTER VESSEL**
8" -150# INLET/ TANGENTIAL OUTLET
SPINDLE TYPE-SE (SSTL)

UNAUTHORIZED USE, MANUFACTURE OR REPRODUCTION IN WHOLE OR IN PART IS PROHIBITED.

ELECTRONIC FILE NAME: SE0804TS.DWG
REF. ECR D649 DATE 01/04/06

DRAWN	FJM	DATE	08/27/03	CERT.	LH	DATE	08/27/03
SIZE	DWG NO	SE0804TS				REV	D
A							