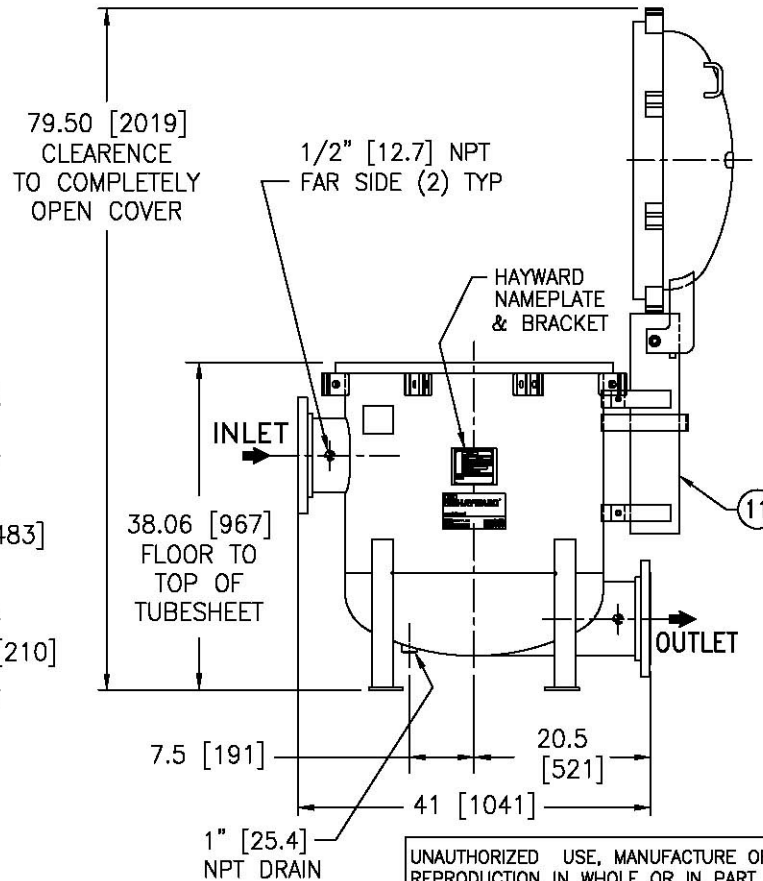
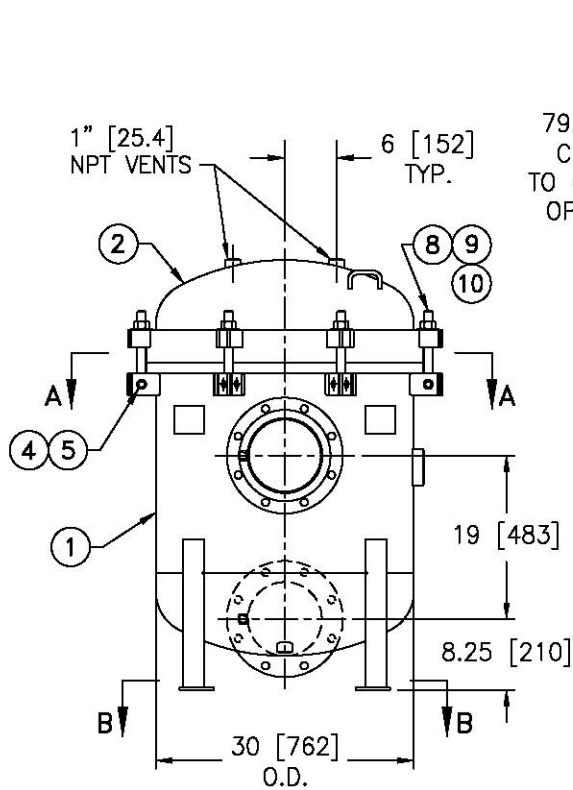



ITEM	PART NAME	MATERIAL
1	BODY	SA240-316/316L
2	COVER	SA240-316/316L
3	O-RING	BUNA-N
4	PIN	SA193 B7 ZINC PL
5	SNAP RING	STEEL ZINC PL
6	BASKET RESTRAINER	316 SS
7	FILTER BAG RETAINER	316 SS
8	EYE BOLT	SA193 B7 ZINC PL
9	HEX NUT	SA194 2H ZINC PL
10	WASHER	STEEL ZINC PL
11	SPRING ASSISTED MECHANISM	STAINLESS STEEL

NOTES:

1. UNITS ARE TO BE DESIGNED, FABRICATED & "U" STAMPED IN ACCORDANCE WITH ASME SECT. VII, DIV. 1 BOILER & PRESSURE VESSEL CODE, IN COMPLIANCE TO LATEST ADDENDA.
2. INLET / OUTLET FLANGE CONNECTIONS PER ANSI B 16.5.
3. DESIGN PRESSURE: 150 PSI (MAWP)
DESIGN TEMPERATURE 250° F.
MDMT - -20° F @ 150 PSI.
4. ALL DIMENSIONS ARE IN INCHES / (MM).
5. ALL BOLT HOLES ARE TO STRADDLE NATURAL CENTERLINES.
6. APPROX. WEIGHT (DRY) 970 LB. (439 KG.)
7. APPROX. SHIPPING WEIGHT 1100 LB. (498 kgs.)



CERTIFIED FOR:
P.O. NO.:
REG. NO.:
QUOTE NO.:
TAG NO.:
VESSEL CODE: MBF-0802-AB10-080A-UT-11HE
PART NUMBER: F3AV0800001



FACTORY DIRECT PIPELINE PRODUCTS, INC.
P.908.496.9020 F.908.496.8080 <http://www.fdpp.com>

NAME **MAXILINE MBF0802HE FILTER VESSEL**
8" 150# RF INLET / TANGENTIAL OUTLET
STAINLESS STEEL

DRAWN	SD	DATE	9/5/00	CERT.	LF	DATE	9/15/00
SIZE	DWG NO	HE0808TS				REV	G
A							

ELECTRONIC FILE NAME: HE0808TS.DWG
REF. ECR D652 DATE 01/06/06

UNAUTHORIZED USE, MANUFACTURE OR REPRODUCTION IN WHOLE OR IN PART IS PROHIBITED.