

Pressure Filters

ECF Series

Flows to 19 L/min (5 USgpm)
Pressures to 200 bar (3,000 psi)

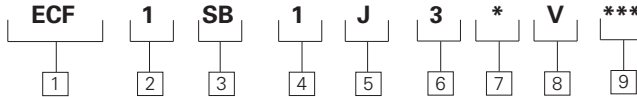


Features and Benefits

- Integrated throwaway element which is screwed into the manifold port for last chance filtration

DESIGN SPECIFICATIONS

Rated flow:	19 L/min (5 USgpm)	
Fluid compatibility:	Compatible with all petroleum-/oil-based and synthetic fluids. Not rated for use with fluoro-rubber or ethylene propylene seals.	
Temp range:	-30°C to +121°C (-22°F to 250°F)	
Pressure rating:	Operating	200 bar (3000 psi)
Cavity:	BC20-S3	
Material:	Head	Aluminum
	Bowl	Aluminum
Dry weight: (Approximate)	0,11 kg (0.25 lbs)	



ECF Series Filter and Element Model Code

Sample model code:

ECF1SB1J3CV025

1 Filter Series - ECF

2 Element Collapse Rating

1 - 17 bar (250 psi) low collapse

3 Port Options

SB - 1.312-12 UN SAE-16 straight thread

4 Valve Options

1 - Non-Bypass (Screw directly into cavity)

5 Indicator Options

J - No indicator

6 Assembly Length

mm (inch)
3 - 80.2 (3.16)

7 Element Construction

C - Standard construction
M - Wire screen

8 Seal Material

V - Viton-A

9 Fluid Cleanliness

Code	Fluid Cleanliness Rating	Element Construction
015	20/18/15	C-Pak
025		Wirescreen
100		Wirescreen

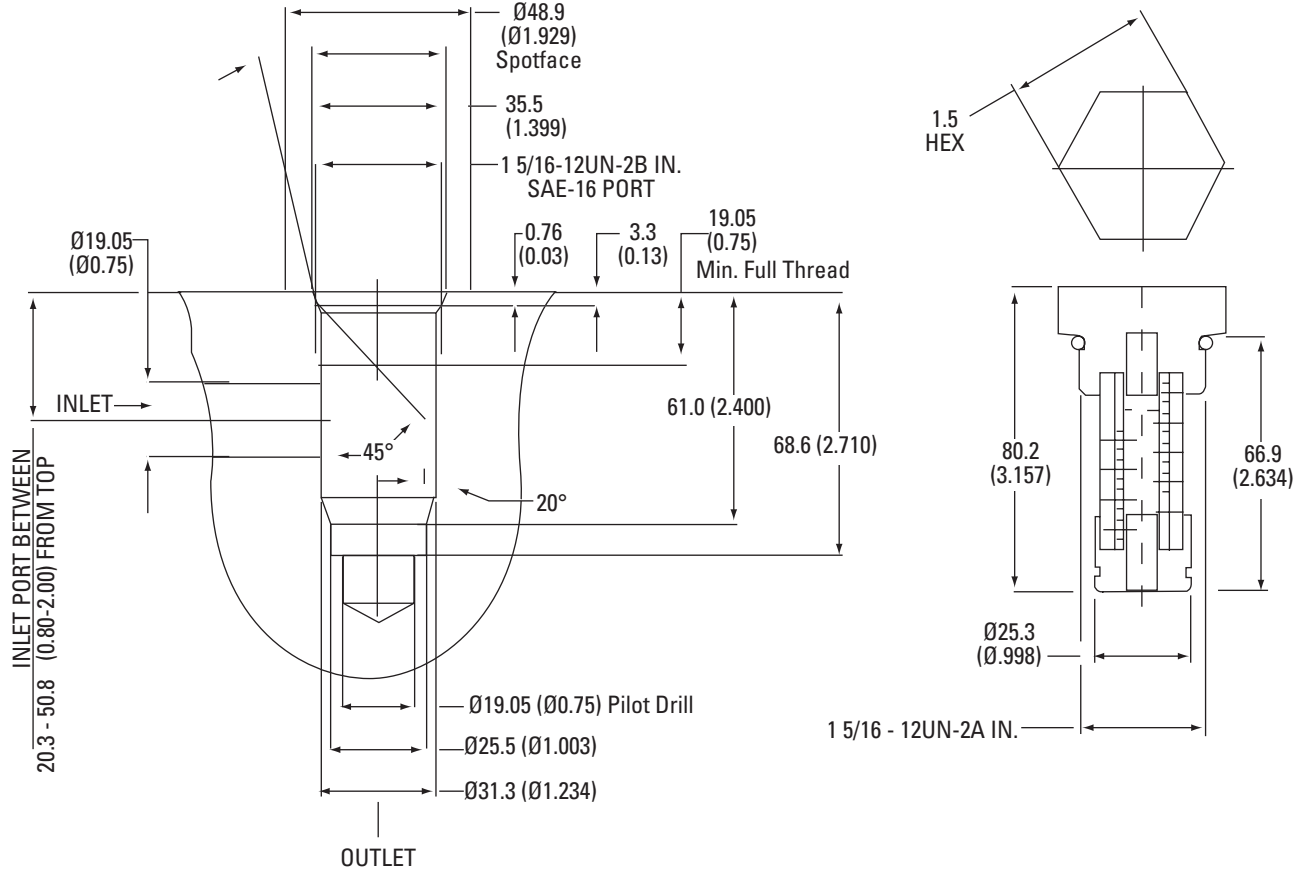
Pressure Filters

ECF Series

Flows to 19 L/min (5 USgpm)
Pressures to 207 bar (3,000 psi)

Housing Dimensions

mm (inch)

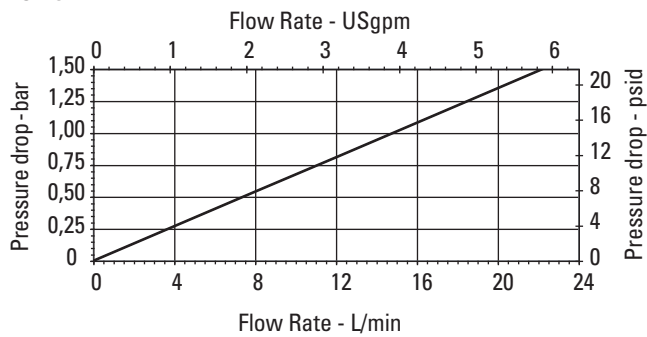


Housing/Element Flow Data

Flow versus pressure drop:

150 SUS (32 cSt) oil with specific gravity of ≤ 0.9

ECF15



ECF 25/150

