



DIGITAL PRESSURE GAUGE

General purpose digital pressure gauge, backlit LED display for clear, concise readings

SPECIFICATIONS

Dial	3" (76 mm)
Case	Black aluminum
Display	4 digits standard
Wetted Parts	304L & 316L stainless steel
Ranges	Standard ranges from 30" hg vac to 5,000 psi
Connection	Lower mount 1/4" NPT for 3"
Measurement Units	psi, BAR, MPa
Accuracy	0.25% of span on 3" ASME B40.1 Grade 3A
Ambient Temp	14° F to 140° F
Power Supply	9 volt battery
Functions	Zero reset Backlight Peak/Hold

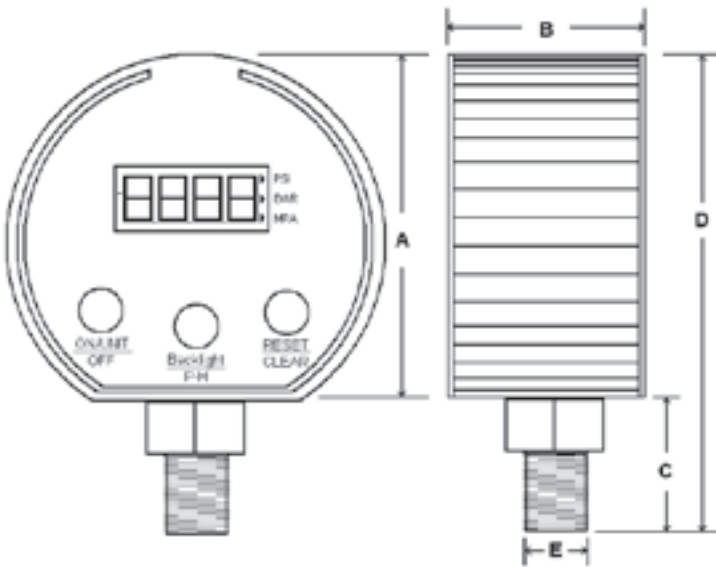
Design meets or exceeds ASME B40.100 pressure gauge standard.



AVAILABLE OPTIONS*

- Certificate of Accuracy, NIST Traceable
- Protective Rubber Cover, see page 121
- Special Connection Size

5



Dial	Unit	A	B	C	D	E
3"	In.	3.35"	2.03"	0.92"	4.21"	1/4"
	mm	85	52	23	107	NPT

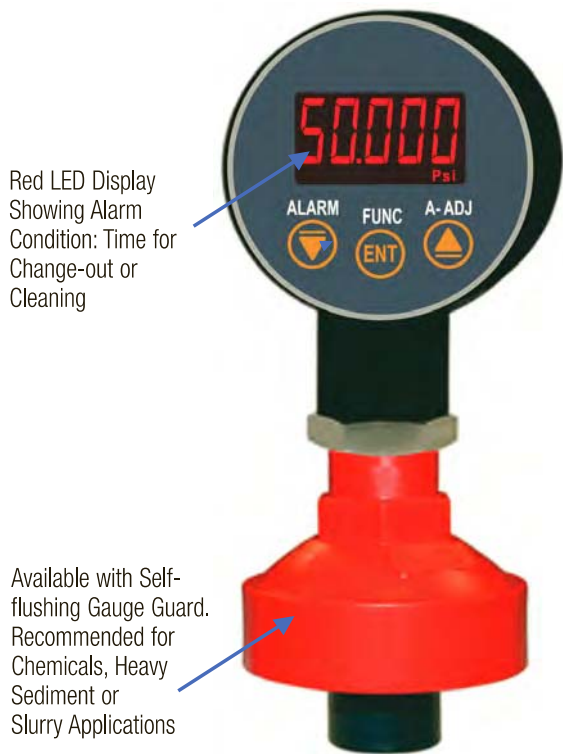
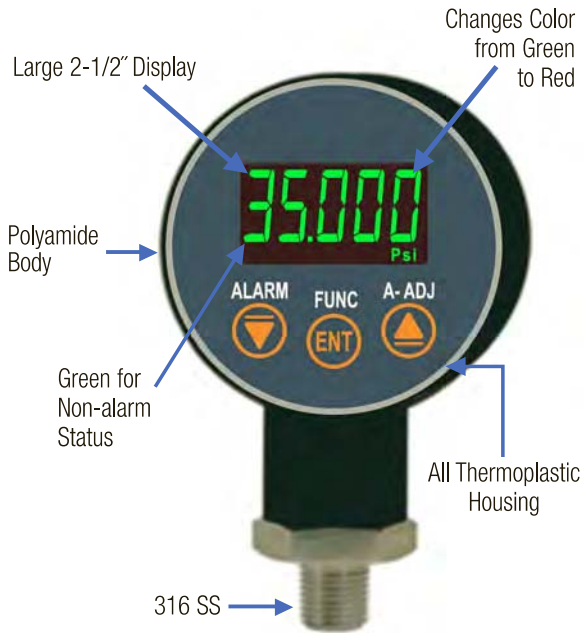
Dial Size	Standard Part Numbers
3"	DPG-254L(RANGE CODE)

Stock Ranges	
A = 30/0" Hg Vac	L = 0/800 psi
E = 0/100 psi	M = 0/1000 psi
H = 0/300 psi	P = 0/3000 psi
R = 0/5000 psi	

*Lead times/minimums may apply

APPROXIMATE SHIPPING WEIGHTS/ BOX QUANTITIES

Dial Size	Est. Unit Weight	Box Qty
3"	1.10 lbs (0.50 kg)	upon request



GD SERIES Digital LED Pressure Alarm

IDEAL FOR BASKET STRAINERS
& BAG FILTER MONITORING

KEY FEATURES & BENEFITS

- Display Changes from Green to Red (Alarm Status)
- Highly Accurate $\pm 0.25\%$ of Full Scale
- Ceramic Diaphragm 316 SS 1/2" NPT Process Port
- Display Pressure Units psi, Bar, Kg/Cm², KPA, MPA, In Hg
- Two 3 Amp Relay Alarm Functions
- 4-20 mA Analog Output Function (Remote Display)
- Digital RS-485 Interface Function (optional)
- IP66 NEMA 4X Housing
- Thermoplastic Gauge Isolator for Corrosive Services, Slurries, Heavy Sediment (optional)
- Adjustable Range
- Adjust ΔP Set Points
- Lockable Software Security

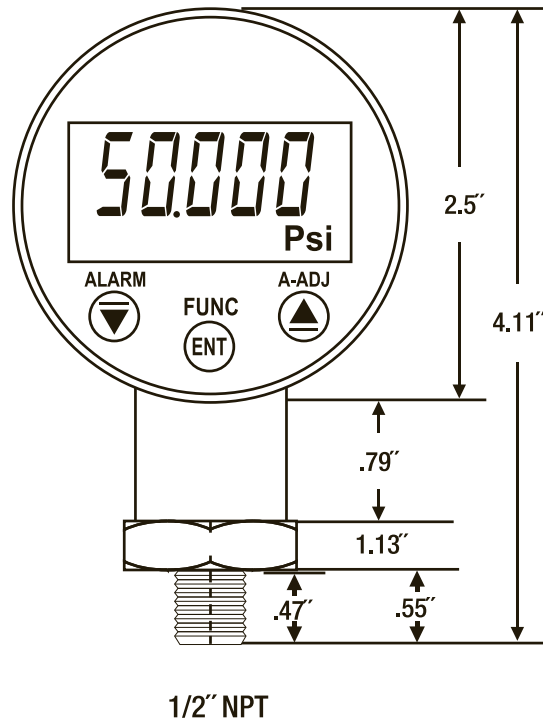
SPECIFICATIONS

Supply Voltage	DC 14 to 30 V
Measuring Accuracy	0.25% Full Scale
Display Range	-19999 ~ 99999
Relay Contact Output	DC 30V-3A
Analog Output	4-20 mA
Display	Bright Red/Green LED High (0.4")
Parameter Setting	Push Button
Memory Mode	Non-Volatile E2 PROM Memory
Diaphragm Materials	Ceramic Al ₂ O ₃
Pressure Port Materials	316 SS
Display Materials	Polyamide 66+ 15% Glass Filled
Operating Temperature Range	-4°F to 176°F (-20°C to 80°C)
Storage Temperature Range	-22°F to 176°F (-35°C to 80°C)
Pressure Range	0 to 400 psi

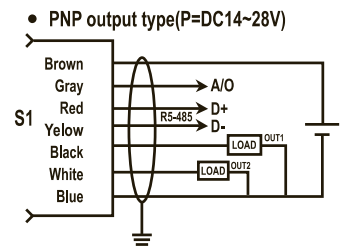
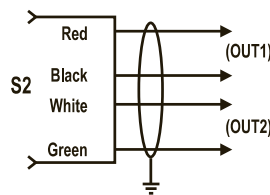
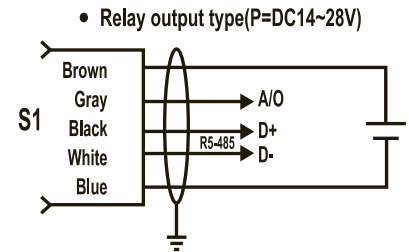
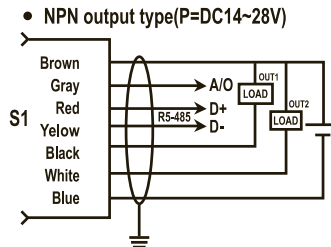
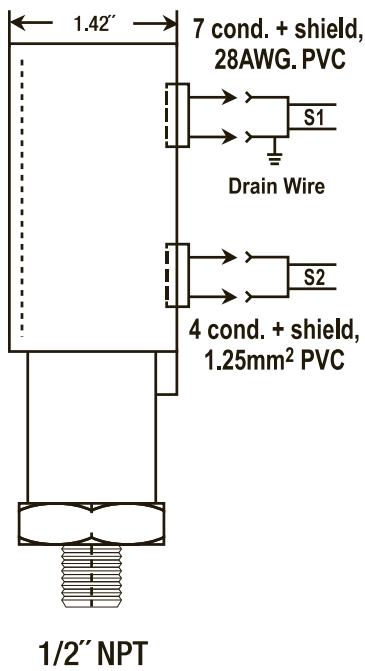
GD Series

DIGITAL LED PRESSURE ALARM

DIMENSIONS (UNIT : INCH)



CONNECTION DIAGRAM



Hayward is a registered trademark of Hayward Industries, Inc. © 2015 Hayward Industries, Inc.

Contact Hayward Flow Control with questions:

USA: 1.888.429.4635 • Fax: 1.888.778.8410 • One Hayward Industrial Drive • Clemmons, NC 27012 • Email: hflow@haywardnet.com
 Canada: 1.888.238.7665 • Fax: 1.905.829.3636 • 2880 Plymouth Drive • Oakville, ON L6H 5R4 • Email: hflowcanada@haywardnet.com
 Visit us at: haywardflowcontrol.com

GLD SERIES LED + LCD Pressure Gauge & Isolators

INDUSTRY'S FIRST LED DIGITAL ALL THERMOPLASTIC COMBO GAUGE + ISOLATOR

KEY FEATURES & BENEFITS

- All Thermoplastic Construction (Gauge + Isolator)
- Heavy Duty One-piece Molded Design (No Assembly Required)
- No Filling Required
- Corrosion Resistant
- Designed to Act as Visual Pressure Alert for Bag/Filter Change-out
- Extra Large LED Display
- No Programming Required
- Reduces Small Pressure Surges caused by Water Hammer or Metering Pump Pulsations
- PTFE Diaphragm Standard
- High Accuracy $\pm 1.0\%$
- Suitable for Corrosive Media & Slurries
- 15 ft of Cable for LED Model
- Replaceable Lithium Battery - LCD Model
- Long Battery Life (3 years) - LCD Model
- Simple Installation

SPECIFICATIONS

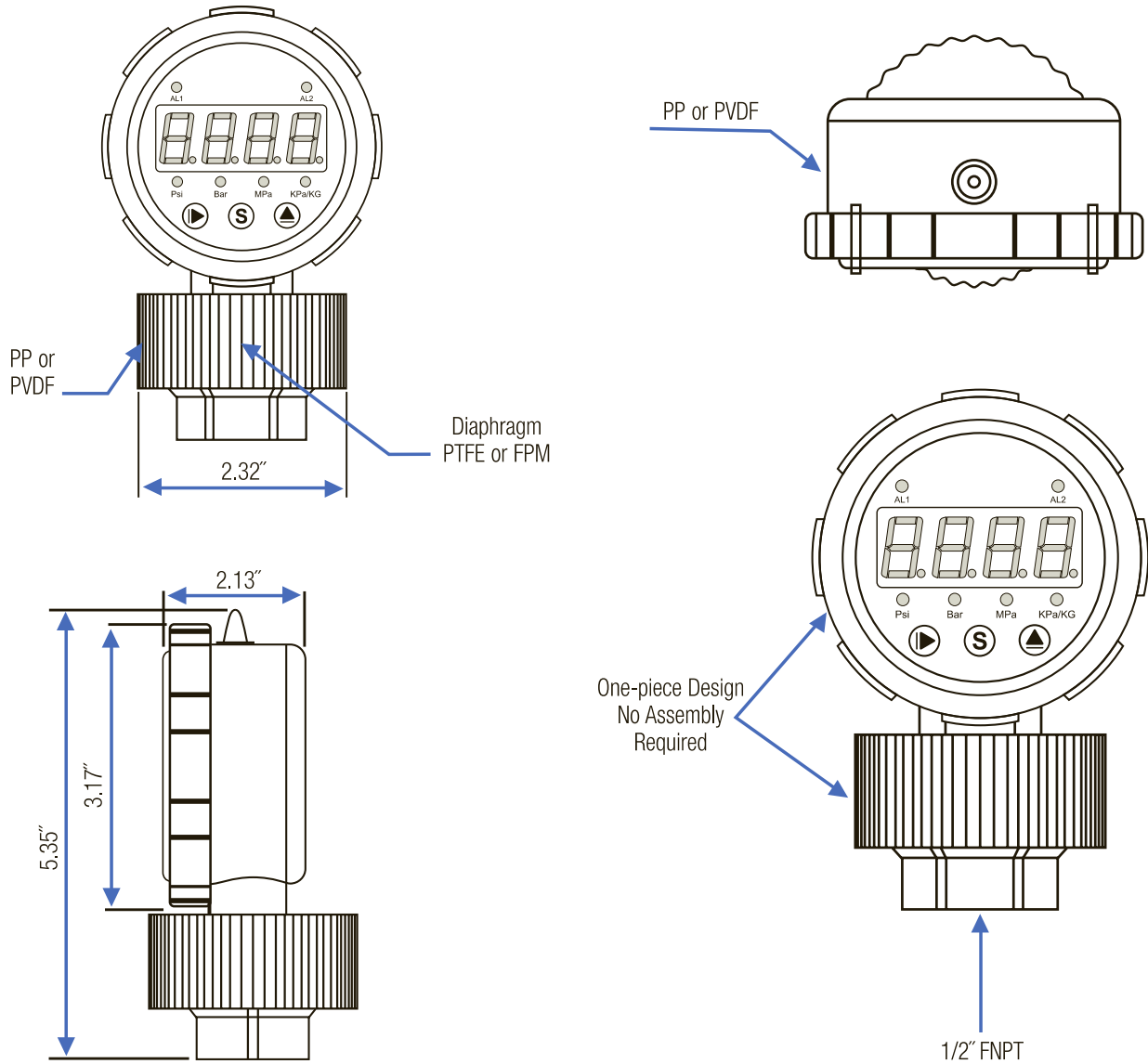
Dial Diameter	2-1/2"
Mounting	Direct Mount, Bottom Connection
Housing	PVDF or Polypropylene with PTFE Diaphragm
Protection Class	NEMA 4X
Lens	Polycarbonate
Dial	LED or LCD Display
Connection	1/2" FNPT
Accuracy	$\pm 1.0\%$
Operating Temperature	Max. Working Temp. PVDF 195°F (90°C), PP 170°F (76°C)
Pressure Range	0-290 psi (Ambient Temp)
Output	4-20 mA + 2 (NPN or PNP) - LED Only
Power Requirement	10-30 VDC - LE / Battery - LC



GLD Series

LED/LCD PRESSURE GAUGE & ISOLATOR

DIMENSIONS AND MATERIALS (UNITS : INCH)



Hayward is a registered trademark of Hayward Industries, Inc. © 2015 Hayward Industries, Inc.

Contact Hayward Flow Control with questions:

USA: 1.888.429.4635 • Fax: 1.888.778.8410 • One Hayward Industrial Drive • Clemmons, NC 27012 • Email: hflow@haywardnet.com
Canada: 1.888.238.7665 • Fax: 1.905.829.3636 • 2880 Plymouth Drive • Oakville, ON L6H 5R4 • Email: hflowcanada@haywardnet.com
Visit us at: haywardflowcontrol.com