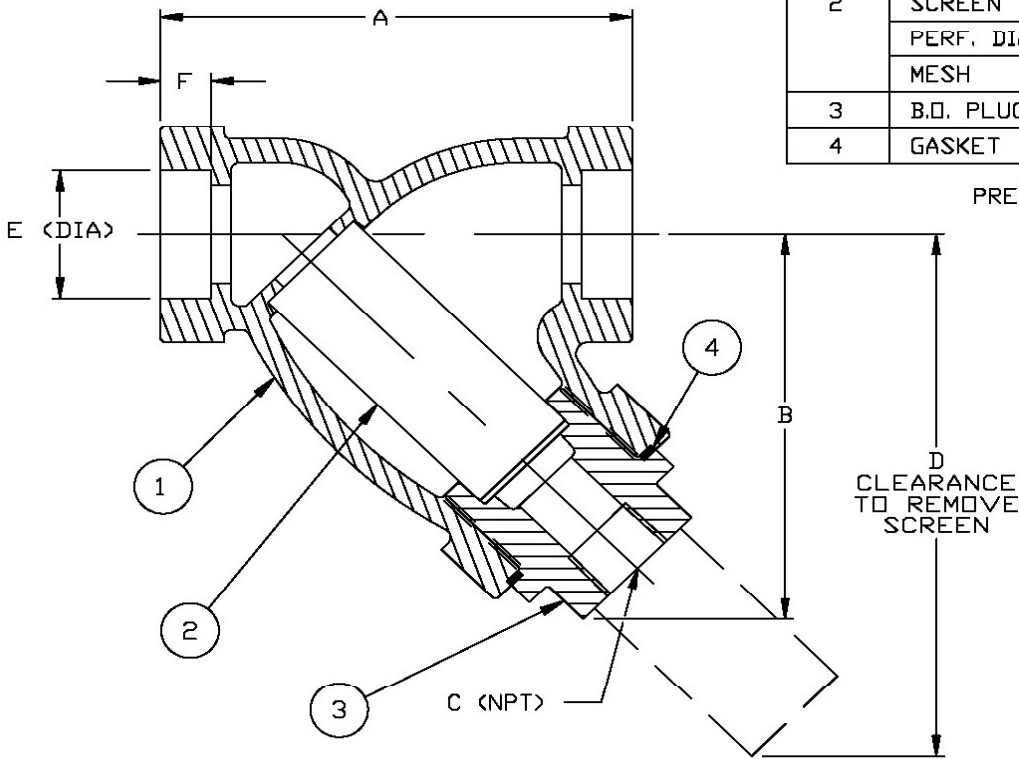


NO.	PART NAME	MATERIAL
1	BODY	CSTL ASTM A216 GR. WCB
2	SCREEN	
	PERF. DIA. MESH	
3	B.O. PLUG	CSTL ASTM A216 GR. WCB
4	GASKET	NON-ASBESTOS



PRESSURE RATING: 1480 PSI @ 100° F
(102 BAR @ 37.8° C)

CERTIFIED FOR:
P.O. NO.:
REG. NO.:
TAG NO.:

QUOTE NO.:

PIPE SIZE (NOMINAL)	DIMENSIONS							WEIGHT (APPROX.) (DRY) LBS. KGS.	PART NO.					
	A		B		C (NOM.)	D				E		F		
	IN.	MM.	IN.	MM.	IN. MM.	IN.	MM.	IN.	MM.	IN.	MM.			
1/4" (8mm)	3.00	76	3.00	76	3/8 (10)	4.00	102	0.56	14	0.38	10	2	0.9	SY085002ES30A
3/8" (10mm)	3.00	76	3.00	76	3/8 (10)	4.00	102	0.69	18	0.38	10	2	0.9	SY085003ES30A
1/2" (15mm)	3.00	76	3.00	76	3/8 (10)	4.00	102	0.86	22	0.38	10	2	0.9	SY085005ES30A
3/4" (20mm)	3.75	95	3.50	89	3/8 (10)	4.75	121	1.07	27	0.50	13	4	1.8	SY085007ES30A
1" (25mm)	4.63	118	4.00	102	1/2 (15)	5.75	146	1.33	34	0.50	13	6	2.7	SY085010ES30A
1-1/4" (32mm)	5.00	127	4.63	118	3/4 (20)	6.50	165	1.68	43	0.50	13	8	3.6	SY085012ES30A
1-1/2" (40mm)	5.63	143	5.25	133	3/4 (20)	7.50	191	1.92	49	0.50	13	10	4.5	SY085015ES30A
2" (50mm)	7.00	178	5.75	146	1 (25)	8.75	222	2.41	61	0.62	16	15	6.8	SY085020ES30A



FACTORY DIRECT PIPELINE PRODUCTS, INC.

<http://www.fdpp.com>

NAME
MODEL 85 Y-STRAINER
CLASS 600 SOCKETWELD CONNECTIONS
SIZES 1/4" THRU 2" CARBON STEEL

UNAUTHORIZED USE, MANUFACTURE OR
REPRODUCTION IN WHOLE OR IN PART IS
PROHIBITED.

DRAWN FC DATE 7/6/93 CERT. FM DATE 7/6/93

SIZE A DWG NO SD085171 REV D

ELECTRONIC FILE NAME: SD085171.DWG

REF. ECR D507 DATE 11/1/05