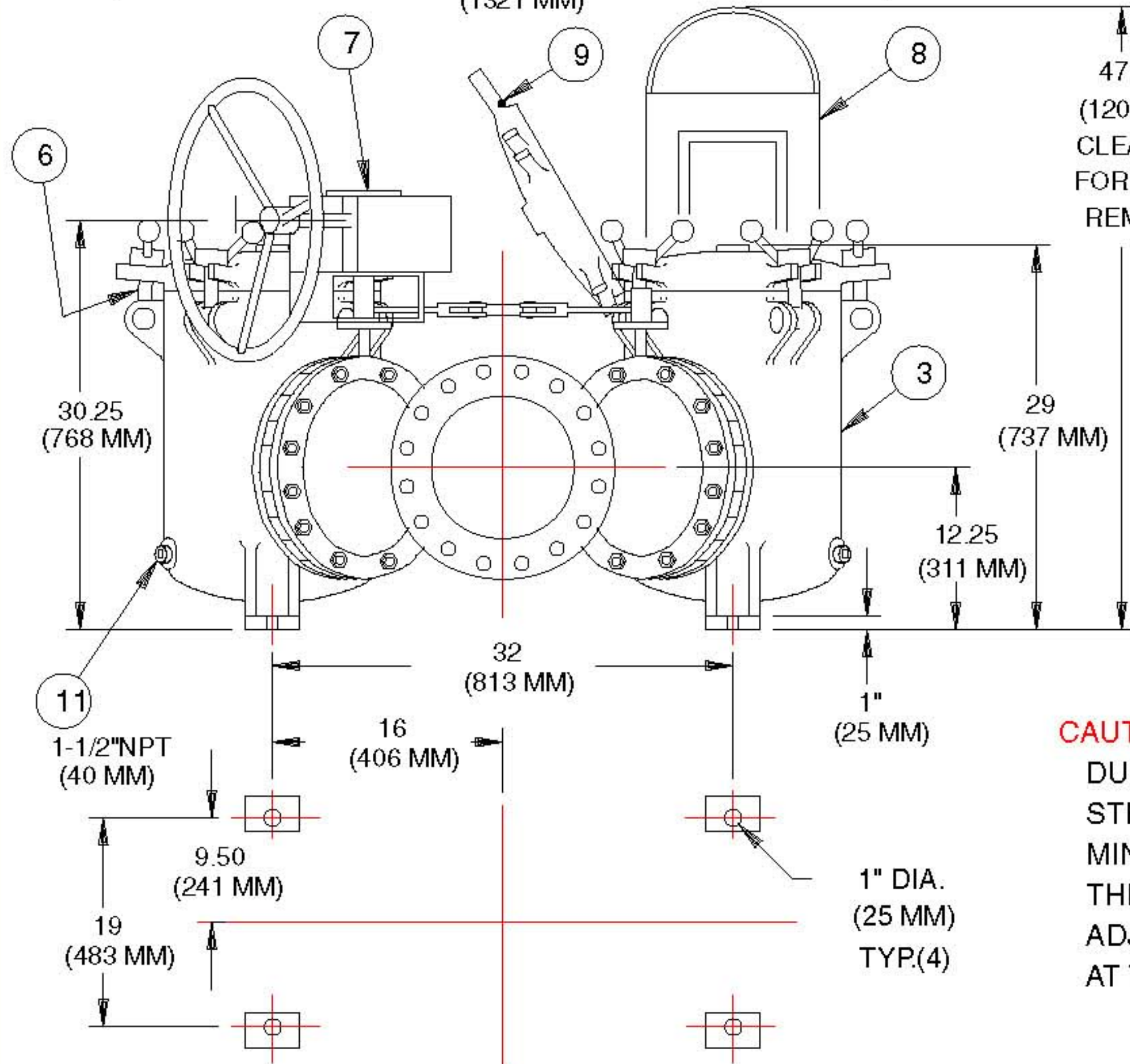


NO.	DESCRIPTION	MATERIAL
1	FLANGED Y	CAST IRON A126 CL.C
2	BUTTERFLY VALVE	IRON / BUNA-N SEAL
3	BODY	CAST IRON A126 CL.C
4	LINKAGE	STEEL
5	COVER	CAST IRON A126 CL.C
6	SWING BOLTS	CARBON STEEL
7	GEAR OPERATOR	IRON
8	BASKET	
	PERF. DIA.	
	MESH SIZE	
9	O-RING	BUNA-N
10	BOLT/NUT	CARBON STEEL
11	PIPE PLUG (DRAIN)	IRON
12	PIPE PLUG (VENT)	IRON
13	PIPE PLUG (GAGE)	IRON

**NOTES:**

1. INLET/OUTLET FLANGE PER ANSI B16.1 CLASS 125 FF FLANGE.
2. MAX. WORKING PRESS.: 200 PSI @100° F. (13.8 BAR @ 37.8 C)
3. DIMENSIONS ARE IN INCHES / (MM).
4. WEIGHT: 1600 LBS. (726 KG.)



47.50  
(1207 MM)  
CLEARANCE  
FOR BASKET  
REMOVAL

CUSTOMER:  
P.O. NO.:  
REG. NO.:  
QUOTE NO.:  
TAG NO.:

**CAUTION:**

DUE TO THE TYPE OF CONSTRUCTION OF THIS STRAINER, ALL DIMENSIONS MAY VARY PLUS OR MINUS 1.50% OF THE CHARTED FIGURES. THE CUSTOMER IS ADVISED NOT TO FABRICATE ADJOINING PIPING UNTIL RECEIPT OF THE UNIT AT THE JOB SITE.

PLAN VIEW  
(MOUNTING)

	<b>FACTORY DIRECT PIPELINE PRODUCTS, INC.</b>			
	P.O. Box 182, Columbia, NJ 07832			
NAME		MODEL 50 DUPLEX STRAINER 125# FLAT FACE FLANGE SIZE 10" CAST IRON		
DRAWN	FM	DATE	3/14/94	CERT. GJL
DATE	3/14/94	DATE	3/14/94	
SIZE	DWG	<b>SD052104</b>		REV
A	NO			D

UNAUTHORIZED USE, MANUFACTURE OR REPRODUCTION IN WHOLE OR IN PART IS PROHIBITED.

ELECTRONIC FILE NAME SD052104.DWG

REF. ECR 4437 DATE 10/31/96