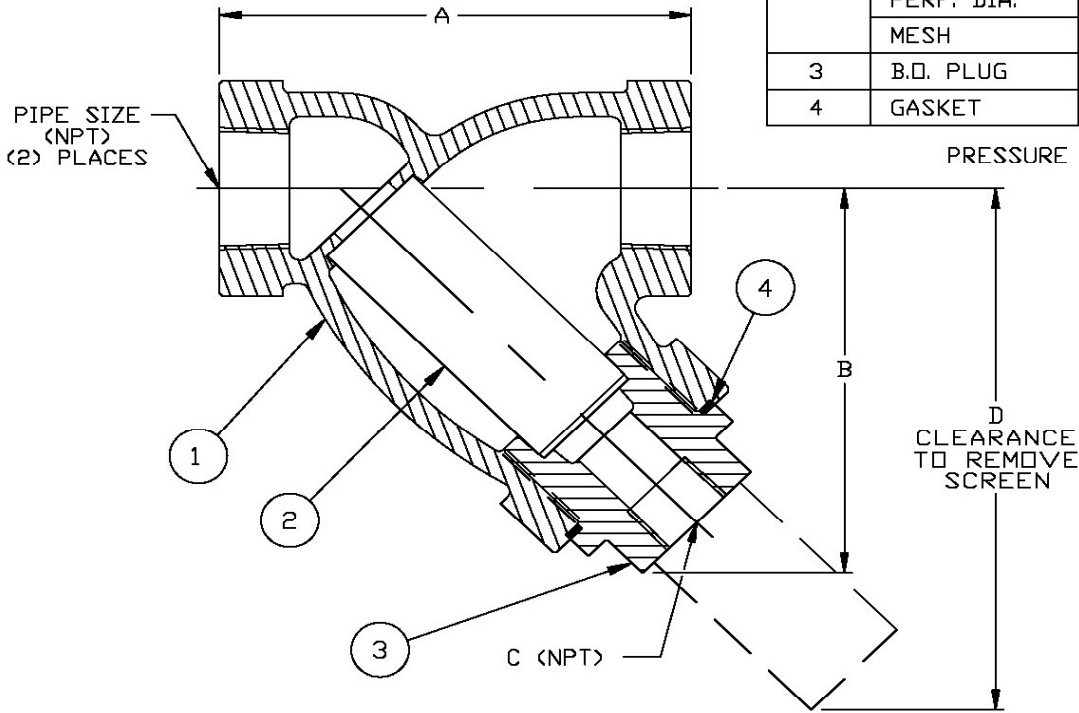


NO.	PART NAME	MATERIAL
1	BODY	SSTL ASTM A351 GR. CF8M
2	SCREEN	
	PERF. DIA. MESH	
3	B.O. PLUG	SSTL ASTM A351 GR. CF8M
4	GASKET	NON-ASBESTOS



PRESSURE RATING: 1440 PSI @ 100° F
(99 BAR @ 37.8° C)

CERTIFIED FOR:
P.D. NO.:
REG. NO.:
TAG NO.:

QUOTE NO.:

PIPE SIZE (NOMINAL)	DIMENSIONS								WEIGHT (APPROX.) (DRY) LBS. KGS.	PART NO.
	A		B		C (NOM.)		D			
	IN.	MM.	IN.	MM.	IN.	MM.	IN.	MM.		
1/4" (8mm)	3.00	76	3.00	76	3/8 (10)		4.00	102	2 / 0.9	SY085002ET20A
3/8" (10mm)	3.00	76	3.00	76	3/8 (10)		4.00	102	2 / 0.9	SY085003ET20A
1/2" (15mm)	3.00	76	3.00	76	3/8 (10)		4.00	102	2 / 0.9	SY085005ET20A
3/4" (20mm)	3.75	95	3.50	89	3/8 (10)		4.75	121	4 / 1.8	SY085007ET20A
1" (25mm)	4.63	118	4.00	102	1/2 (15)		5.75	146	6 / 2.7	SY085010ET20A
1-1/4" (32mm)	5.00	127	4.63	118	3/4 (20)		6.50	165	8 / 3.6	SY085012ET20A
1-1/2" (40mm)	5.63	143	5.25	133	3/4 (20)		7.50	191	10 / 4.5	SY085015ET20A
2" (50mm)	7.00	178	5.75	146	1 (25)		8.75	222	15 / 6.8	SY085020ET20A



FACTORY DIRECT PIPELINE PRODUCTS, INC.
<http://www.fdpp.com>

NAME MODEL 85 Y-STRAINER
CLASS 600 NPT THREADED CONNECTIONS
SIZES 1/4" THRU 2" STAINLESS STEEL

UNAUTHORIZED USE, MANUFACTURE OR
REPRODUCTION IN WHOLE OR IN PART IS
PROHIBITED.

DRAWN FC DATE 7/7/93 CERT. FM DATE 7/7/93

ELECTRONIC FILE NAME: SD085174.DWG

REF. ECR D507 DATE 11/1/05

SIZE
A

DWG
NO

SD085174

REV
D