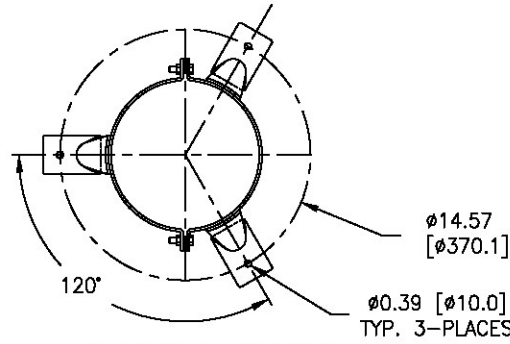
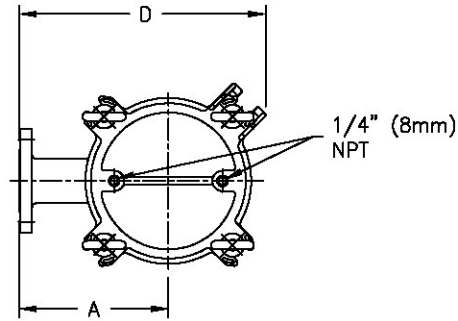
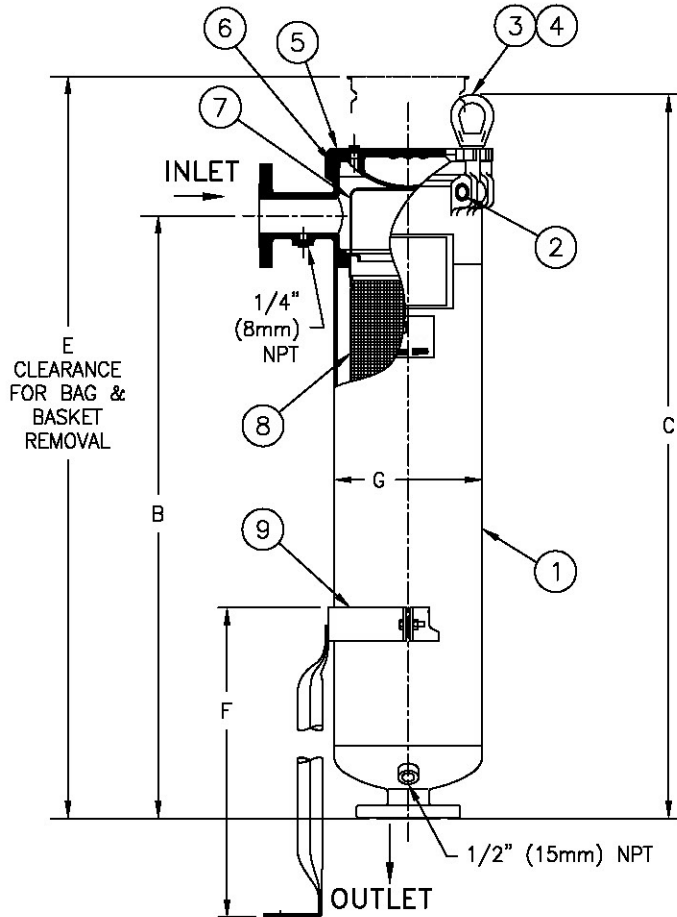


PART NUMBER	BAG SIZE	A IN. / MM	B IN. / MM	C IN. / MM	D IN. / MM	E IN. / MM	F IN. / MM	G IN. / MM	FLOW RATE GPM (MAX)	WEIGHT LBS / KGS
SBF0111SB02F304	01	8.66 / 220	19.50 / 495	26.62 / 676	14.38 / 365	38.00 / 965	24.40 / 619	8.62 / 219	90	84 / 38.1
SBF0112SB02F304	02	8.66 / 220	35.00 / 889	42.12 / 1070	14.38 / 365	69.00 / 1753	24.40 / 619	8.62 / 219	180	102 / 46.3



MOUNTING DETAIL

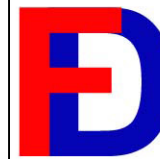
NO.	PART NAME	MATERIAL
1	BODY	SA-351 CF8 SA-312 TP 304
2	PIN	SA-193 GR B7, ZINC PL
3	EYE BOLT	SA-193 GR B7, ZINC PL
4	EYE NUT	SA-194 GR 2H, ZINC PL
5	COVER	SA-351 CF8
6	O-RINGS	BUNA-N
7	BAG HOLD DOWN	316 STAINLESS STEEL
8	RESTRAINER BASKET	304 STAINLESS STEEL
9	LEGS	STAINLESS STEEL



NOTES:

1. VESSEL DESIGNED, CONSTRUCTED & "UM" STAMPED IN ACCORDANCE WITH ASME SECTION VIII, DIV. 1 LATESET EDITION & ADDENDA.
2. INLET/OUTLET FLANGED CONNECTIONS PER ANSI B16.5.
3. MAWP: 150 PSI @ 250° F MDMT: -20° F @ 150 PSI
(10.3 BAR @ 121.1° C) (-28.9° C @ 10.3 BAR)
4. MAXIMUM OPERATING TEMP. 400° F (204.4° C) WITH VITON O-RING.

CERTIFIED FOR:
P.O. NO.:
SALES ORDER NO.:
QUANTITY:
TAG NO.:
FILTER BAG:



FACTORY DIRECT PIPELINE PRODUCTS, INC.
<http://www.fdpp.com>

NAME
SIDELINE (SBF) FILTER VESSEL
2" 150#RF FLANGED CONNECTION
STAINLESS STEEL-304

DRAWN FJM DATE 06/07/07 CERT. LH DATE 06/07/07

SIZE DWG NO. REV
A SBF11XS-304 A

ELECTRONIC FILE NAME: SBF11XS-304.DWG
REF. ECR E664 DATE 06/07/07

UNAUTHORIZED USE, MANUFACTURE OR REPRODUCTION IN WHOLE OR IN PART IS PROHIBITED.